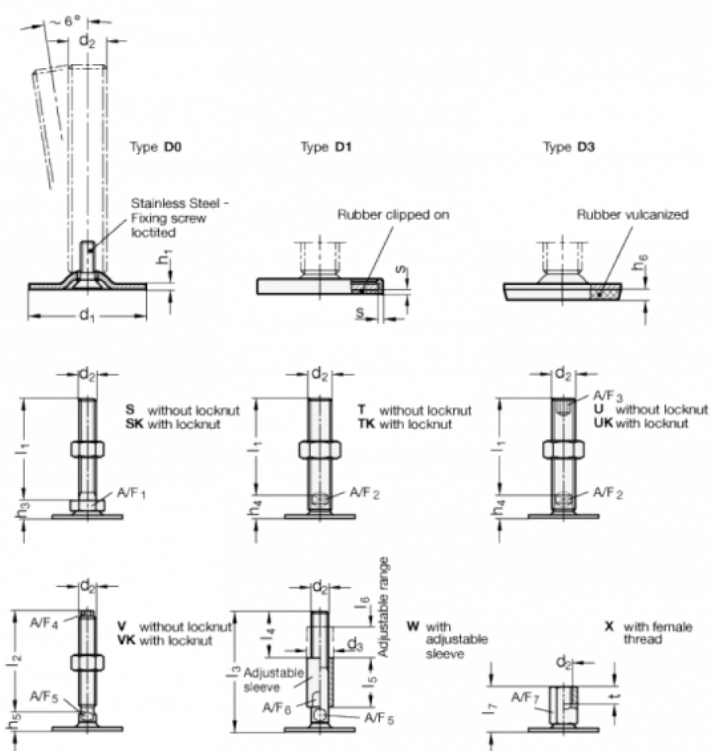


Article number: 204180M16150D1VK

Description: E+G levelling foot
GN 41-80-M16-150-D1-VK

Note: VK With nut, External hexagon at the top, Wrench flat at the bottom

Measures



A/F4 = 10

s = 2

A/F5 = 12

d1 = 80

d2 = M16

h1 = 3

h5 = 15

h6 =

l2 = 150